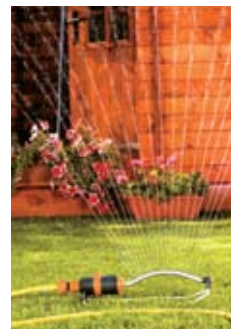
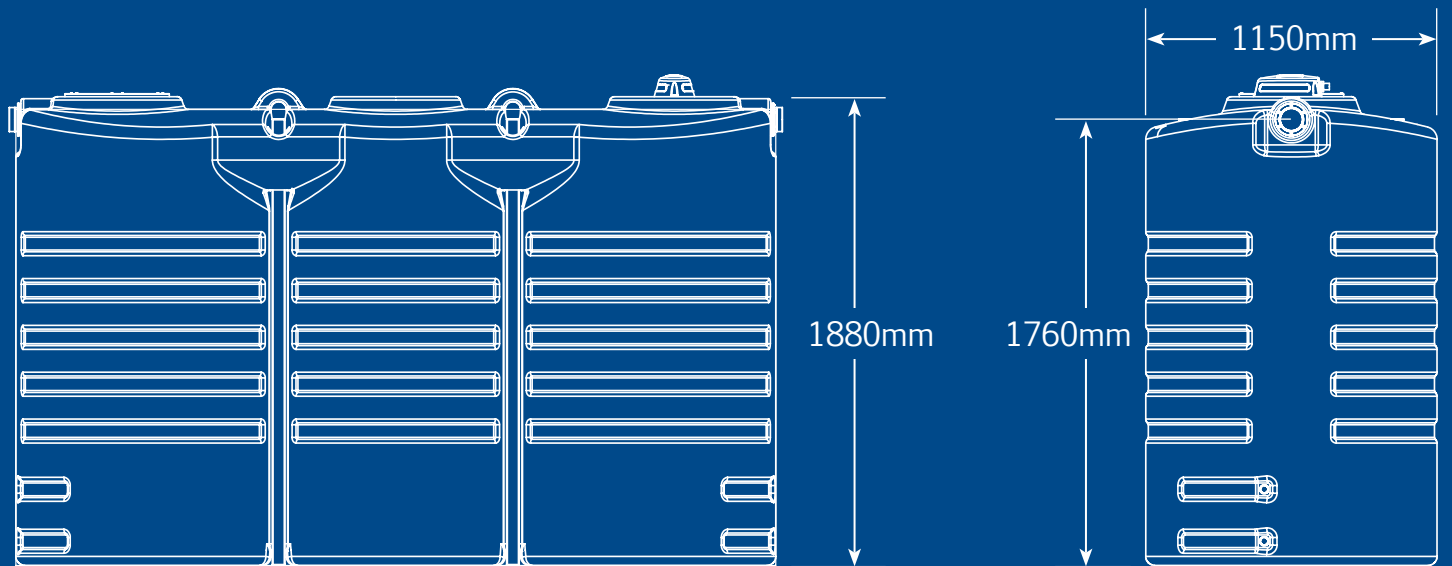
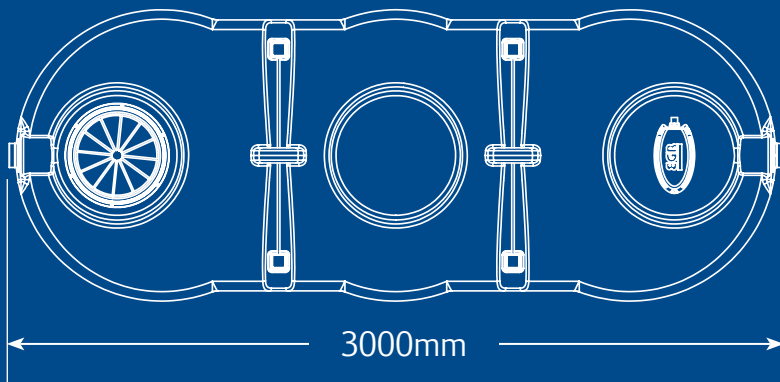


## 5000L SLIMLINE RAINWATER TANK



## Features & BENEFITS

- Designed and manufactured to meet the requirements of Australian Standard AS/NZ4766:2006
- Made from UV stabilised, heavy metal free and recyclable food grade polyethylene
- Manufactured in Australia with the assurance of a 10 year warranty
- Available in a wide range of colours
- Moulded in lifting eyes
- Fitted with 2 x 1" BSP moulded in dezincified brass outlets for added strength
- Additional 2 x 1" BSP moulded in bucket fittings located directly above the outlets allowing a tap or pump sensor probes to be installed
- 2 x 90mm overflow and mosquito proof steel mesh filter 1715mm to the bottom of the overflow making wet charge systems possible
- Modern "one piece" construction for maximum strength. We don't screw on lids
- Powder coated steel reinforcing frame
- Optional RainAid™ cover

## EGR Warranty CONDITIONS

Your EGR water tank is guaranteed against any manufacturing defects for 10 years from the date of manufacture.

This warranty is only valid at the time of the original purchase, it is not transferable. The original purchaser should establish the original purchase date via the sales slip, sales receipt or other evidence. Damaged or lost receipts or sales slips are not valid and will not be honoured.

Damage to the tank caused by accident, misuse, do-it-yourself repairs and/or faulty installation is not covered by this warranty. A suitably qualified trades person must install any EGR tank to prevent voiding of this warranty.

All other claims of any nature are not covered. This warranty is only valid to tanks purchased and installed in Australia in accordance with stated Government and Council regulations and by-laws.

## Colour RANGE



Mist Green



River Gum



Heritage Green



Merino



Beige



Wheat



Mountain Blue



Slate Grey



Heritage Red



Jasper

Proudly Distributed By:

Due to the nature of the printing process, the colours depicted above may vary compared to the actual product's colour. Printed colours are to be used as a guide only.

Oakmoore Pty Ltd  
ABN: 13 056 159 570

**EGR WATER**  
  
**1 800 347 347**

00308 - 040908

This brochure contains general information which is current at the time of publication. Whilst every effort has been made to ensure its accuracy, EGR is not responsible for any errors.

[www.egrwater.com.au](http://www.egrwater.com.au)